

AMENDMENTS TO THE DRAWINGS

The attached drawing sheet is a revised formal version of FIG. 9. This sheet replaces the original sheet containing FIG. 9.

Attachment: 1 Replacement Sheet (FIG. 9)

FIG. 8

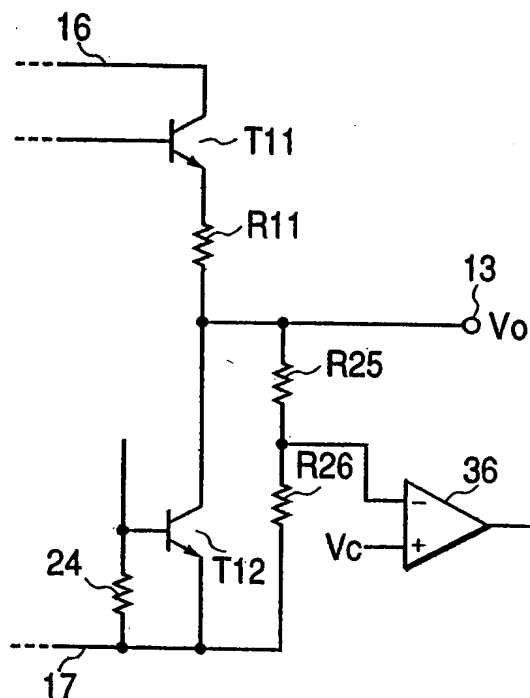


FIG. 9 PRIOR ART

